



# LRU & LRL-HB 'Herringbone' Linked Flue System Gas Fired Radiant U Tube and Linear Heaters



*Innovation  
in design*

*Bespoke  
solutions  
made easy*

Find Your perfect Heating Solution

# LRU/LRL-HB 'Herringbone' Linked Flue System

Gas Fired U Tube and Linear Models



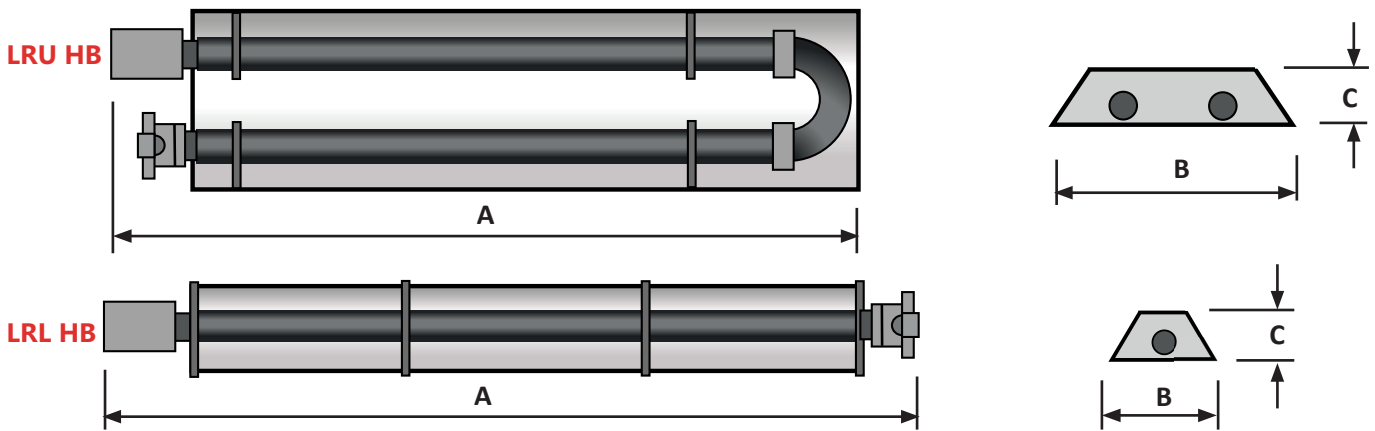
- Six input ratings: 15kW to 47kW available in Linear and 'U' models
- 'Herringbone' link flue systems available with all 'U' and Linear models
- Heat treated Aluminised Calorised emitter tube surface - for flake free and cleaner working environment
- Natural Gas and Propane
- Aluminium reflectors - the tested and proven superior material - designed to maximise downward radiant heating effect
- Lightweight construction - tubes supplied in 3m sections - easy to assemble and fit
- CE Approved
- Made in the UK under our ISO9001:2008 quality assured system - all units test fired before despatch
- Five year emitter tube guarantee
- Purpose designed radiant heating system for efficient, cost saving heating and coverage of large floor areas



**SPECIFICATION GUIDE - LRU & LRL HB Series**

Models		LRU 15HB	LRU 25HB	LRU HB30	LRU 35HB	LRU 40HB	LRU 45HB	LRL 15HB	LRL 25HB	LRL 30HB	LRL 35HB	LRL 40HB	LRL 45HB
Heat Input	kW Hs	15.0	23.0	29.2	34.5	42.2	47.0	15.0	23.0	29.2	34.5	42.2	47.0
	kW Hi	13.5	20.7	26.3	31.1	38.0	42.3	13.5	20.7	26.3	31.1	38.0	42.3
Seasonal efficiency	ErP %	75.2	75.9	78.2	76.3	75.0	74.1	75.6	77.9	81.0	75.7	78.3	75.3
	BREEAM %	91.4	89.2	89.8	88.1	87.8	86.7	91.4	91.2	92.0	87.9	89.9	86.8
Gas connection	BSP	½"											
Maximum gas consumption	Nat gas G20 (m³/h)	1.43	2.19	2.78	3.29	4.02	4.55	1.43	2.19	2.78	3.29	4.02	4.55
	LPG G30 (m³/h)	0.43	0.66	0.84	0.99	1.21	1.34	0.43	0.66	0.84	0.99	1.21	1.34
Gas inlet pressure	mbar	Natural gas - 20mbar						LPG - 37mbar					
Flue connection	Ømm	Dependent upon system design											
Inlet air connection	Ømm	101mm											
Supply voltage	V	230V 50Hz 1PH N & E 125w Current rating 0.55A External fuse rating - 3A											
		Type 1 Fan = Current rating 0.4A; Type 3 Fan = Current rating 3.4A											

**Dimensional Data**



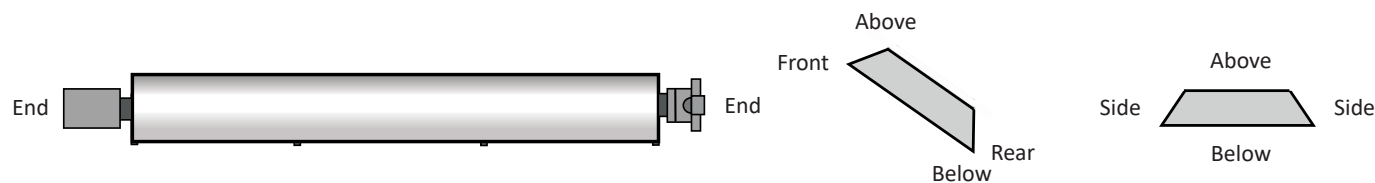
**DIMENSIONAL DATA - LRU & LRL HB Series**

Models		LRU 15HB	LRU 25HB	LRU 30HB	LRU 35HB	LRU 40HB	LRU 45HB	LRL 15HB	LRL 25HB	LRL 30HB	LRL 35HB	LRL 40HB	LRL 45HB
Length (A) Standard unit	mm	3100	5385	5510		6970		5493	10065	9955		13000	
Length (A) Extended unit	mm	-		7034		8494		-		13003		16000	
Width (B)	mm	460		715				340					
Height (C)	mm	175		210				180					
Weight	kg	31	47	66-std 78.5-ext		81-std 93.5-ext		27	46	62-std 74.5-ext		79-std 91.5-ext	

**RECOMMENDED MOUNTING HEIGHT RANGE (General Guidance only) - LRU & LRL HB Series**

Models		LRU & LRL15HB	LRU & LRL25HB	LRU & LRL30HB	LRU & LRL35HB	LRU & LRL40HB	LRU & LRL45HB
Horizontal mounting	m	2.4 to 6.0	3.0 to 8.0	3.8 to 10.0	4.0 to 12.5	4.8 to 13.5	5.6 to 15.0
Angled mounting >30°	m	2.1 to 4.5	2.7 to 5.0	3.3 to 7.0	3.7 to 8.0	4.0 to 9.0	4.8 to 11.0

**Clearances To Combustibles**



**MINIMUM CLEARANCES TO COMBUSTIBLE SURFACES - LRU & LRL HB Series**

Models	Side	Above	Below	End	Front	Rear
LRU & LRL15 to 25HB	510mm	450mm	1220mm	510mm	610mm	305mm
LRU & LRL30 to 45HB	760mm	610mm	2285mm	610mm	760mm	380mm



*Tel: +44(0)1473 830 551*

*Fax: +44(0)1473 832055*

*www.spaceray.co.uk*

*info@spaceray.co.uk*



Gas Fired Products (UK) Ltd  
Chapel Lane  
Claydon  
Ipswich  
Suffolk, IP6 0JL



**FACTORIES: IPSWICH, ENGLAND - CHARLOTTE, N.C, U.S.A**